

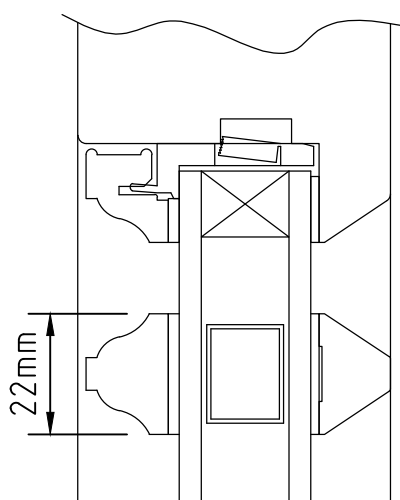
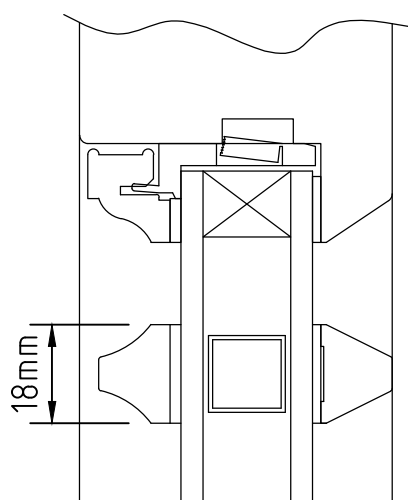
MUMFORD
& WOOD

EST. 1954

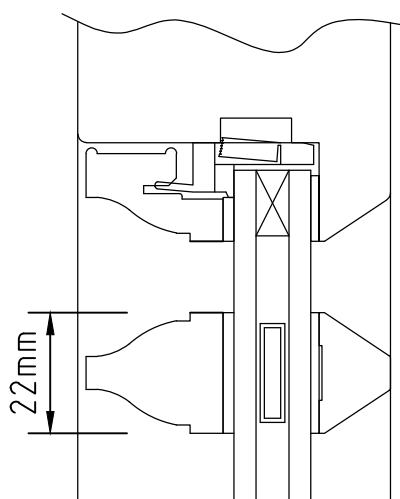
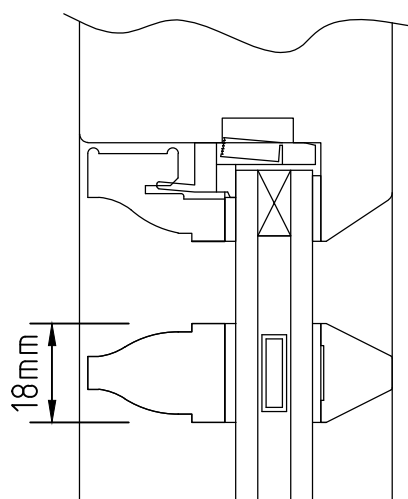
CONSERVATION BALCONY OPEN OUT DOORS
LAMBS TONGUE GLAZING BAR OPTIONS
U.K. PATENT GB2297344B & GB2283269B

www.mumfordwood.com

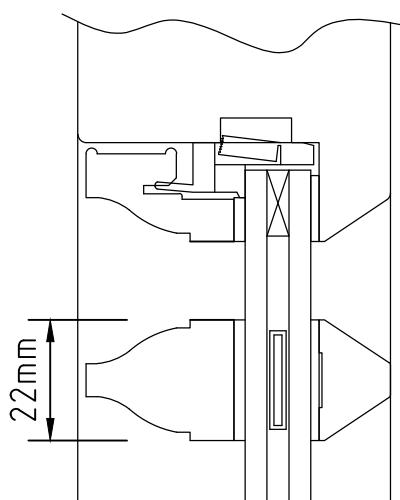
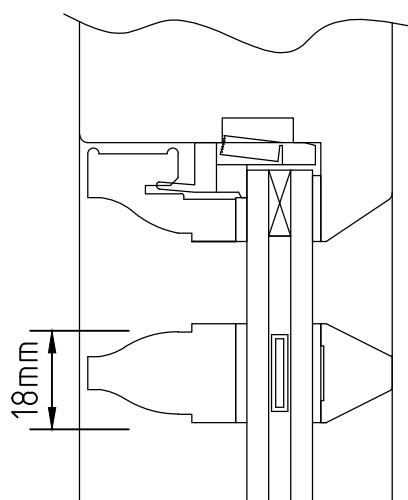
24mm GLAZING

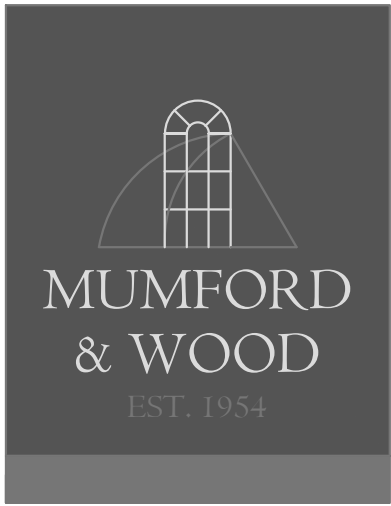


14mm GLAZING



12mm GLAZING

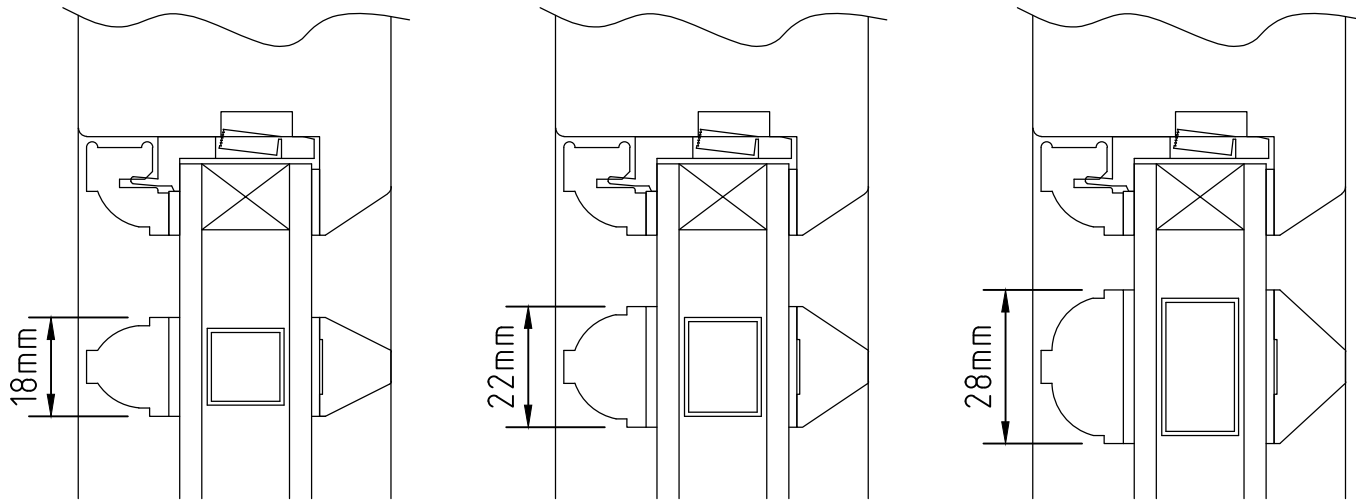




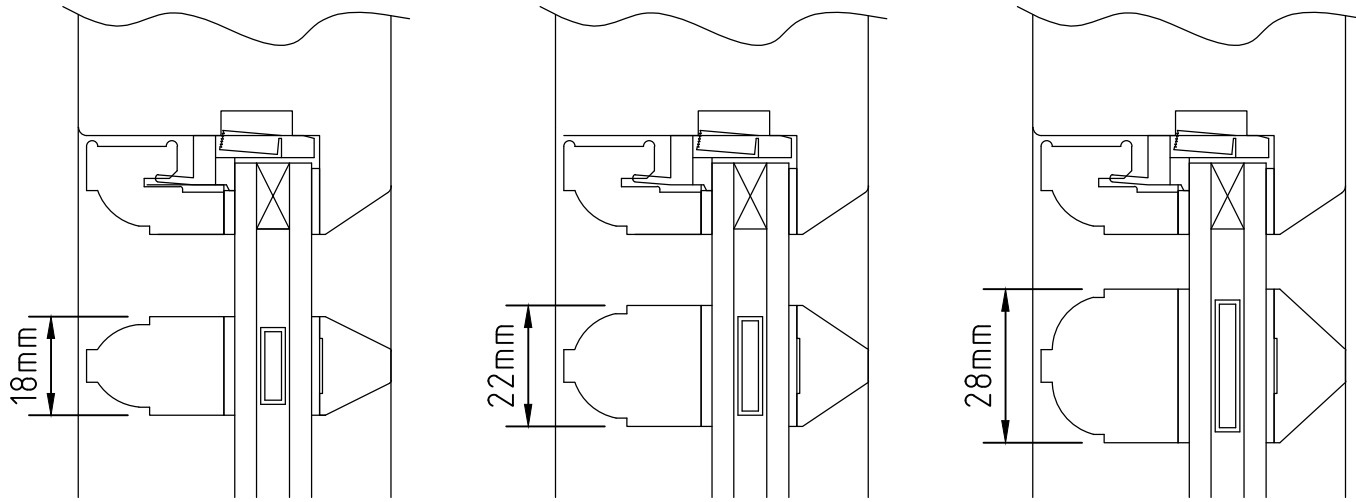
CONSERVATION BALCONY OPEN OUT DOORS
OVOLO GLAZING BAR OPTIONS
U.K. PATENT GB2297344B & GB2283269B

www.mumfordwood.com

24mm GLAZING



14mm GLAZING



12mm GLAZING

