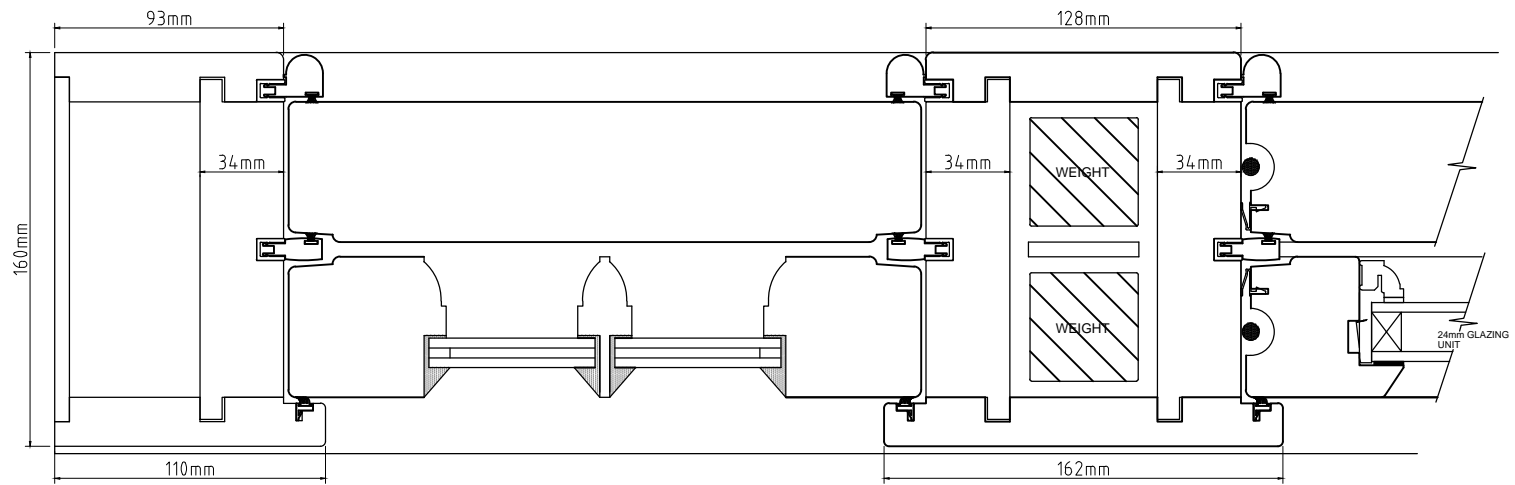
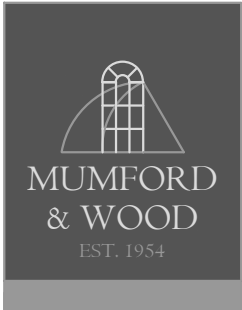


SECTION THROUGH MULLION A-A

CLASSIC BOX SASH WINDOW
JAMB & 220mm MULLION
U.K. PATENT GB2297344B & GB2283269B

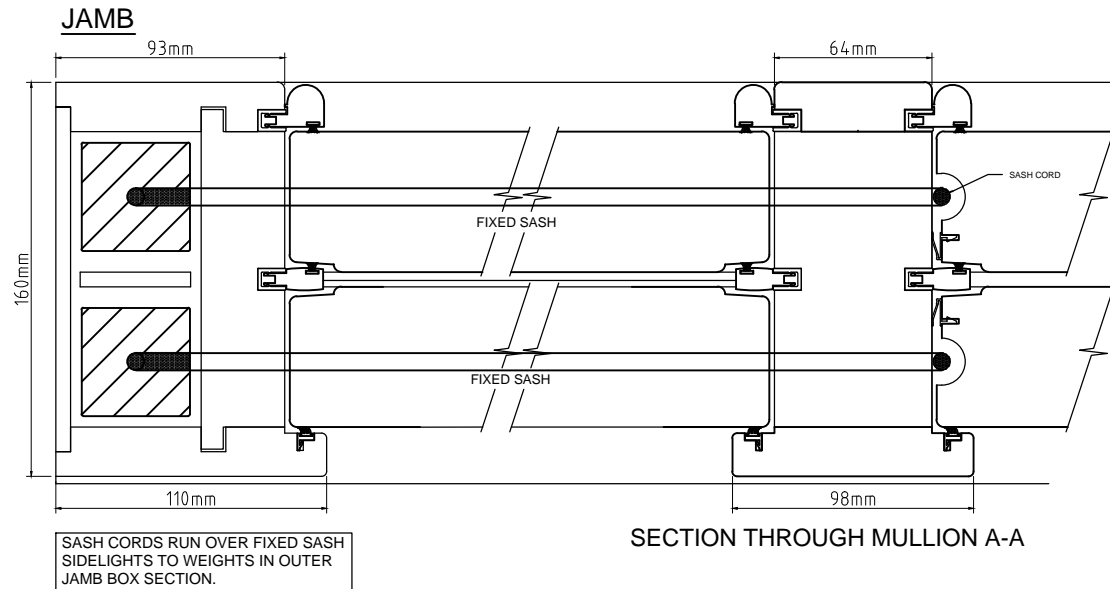
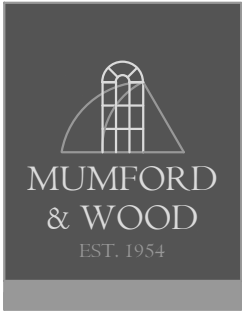
www.mumfordwood.com



SECTION THROUGH MULLION A-A

CLASSIC BOX SASH WINDOW
JAMB & 162mm MULLION
U.K. PATENT GB2297344B & GB2283269B

www.mumfordwood.com



CLASSIC BOX SASH WINDOW
JAMB & 98mm MULLION
U.K. PATENT GB2297344B & GB2283269B

www.mumfordwood.com